

Mentor

B&T



Mentor

Chair

Indoor



Mentor

Chair

Mentor

Mentor is a first class office chair designed for senior executives. It differs from other office chairs with its gorgeous design.

Indoor

It offers a comfortable session thanks to the anti-tilt mechanism. With its twisted form, its elegant aluminium legs contrasting with the voluminous seat, its two different options with and without headrest, Mentor takes its strength from its modern design featuring the sense of lightness and comfort.

Mentor



air

Indoor



While working and resting, it offers an experience of sitting solidly and lightly in the position of natural leaning, with its aerodynamic shape and the support that it takes from its aluminium legs.

Mentor

Chair

Indoor

Designer

B&T Design Studio - 2016

Mentor

Chair

Indoor





Easily stretches back and supports different parts of the body during the stressful working session. Its reflection of B&T Design's perfect craftsmanship and masterful upholstery skills. The stitch detail is striking. Sculptural and qualified. Mentor's seating area and back moves independently.

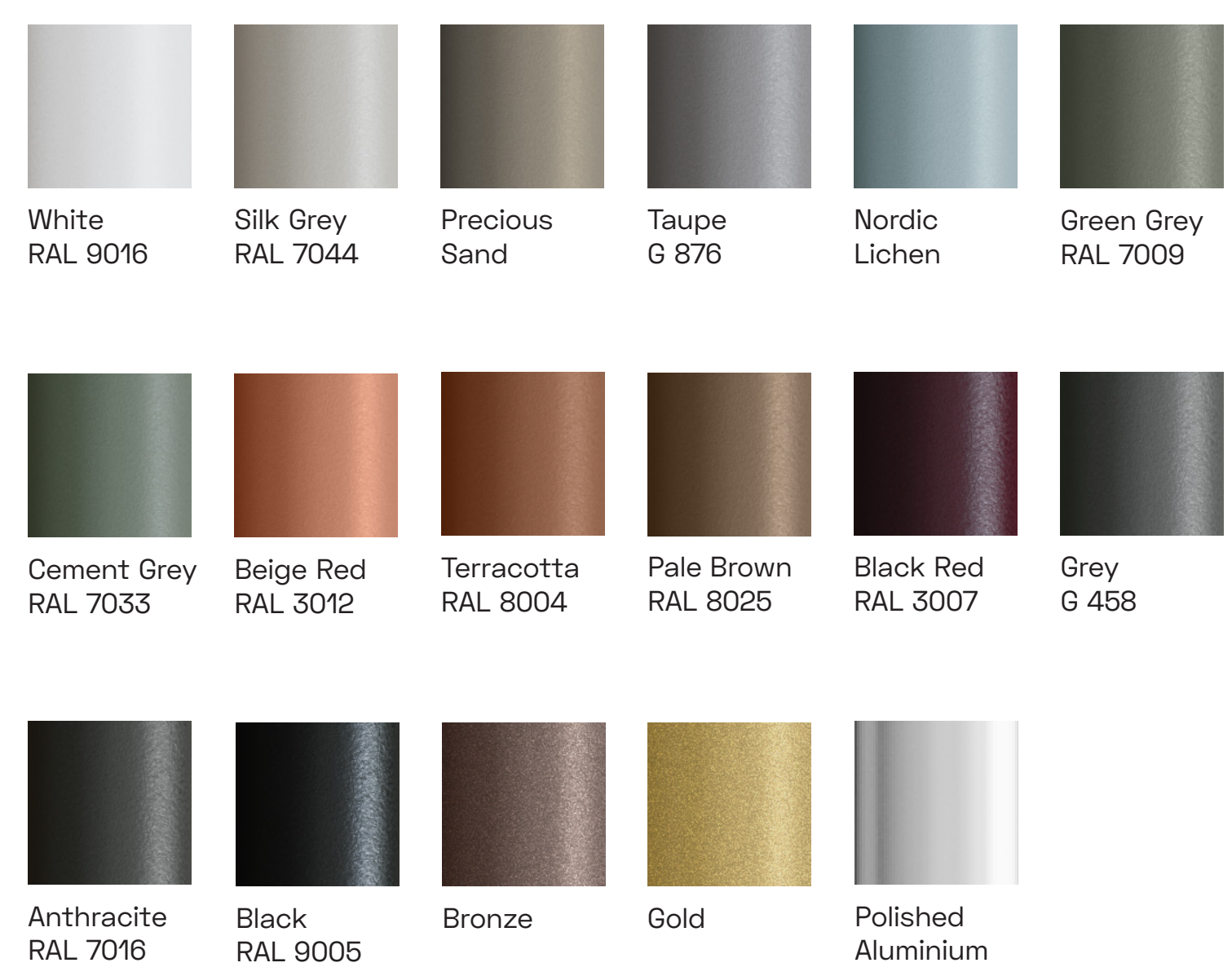


While its high back and its mechanism of laying down provides that the chair elegantly tilts back and forth, it makes the user experience the sense of being relaxed and carried. Its cross-stitches elegantly emphasizing its refined workmanship and quality characterize the design.

Finish Options

A rich range of material choices is provided for Mentor series to create the best match within interior style.

Aluminium Leg Finishes Electrostatic Powder Coating



Upholstery

Fabric, Leather, Artificial Leather.
COM and COL options are also available

textile fabric yardage (mt)	Low Back	1,5
	High Back	2
real leather square meter (m ²)	Low Back	X
	High Back	X



Special Stitching Technique

Mentor

Chair

More options are downloadable in the catalogues

MATERIAL CATALOGUE 

FABRIC & LEATHER CATALOGUE 

Indoor

Models of Product

Office Premium SYN
Executive



Office Premium SYN



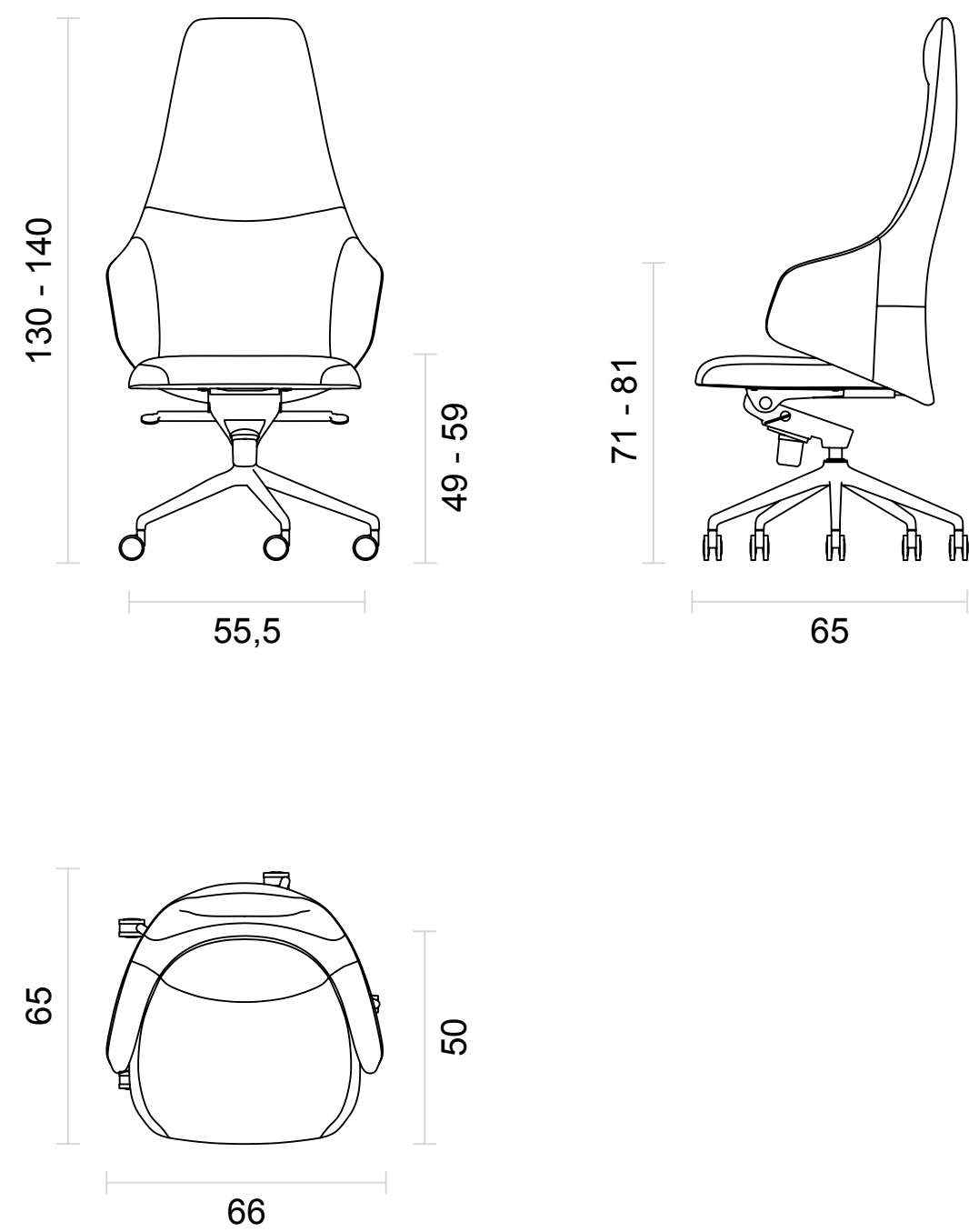
Premium
Swivel



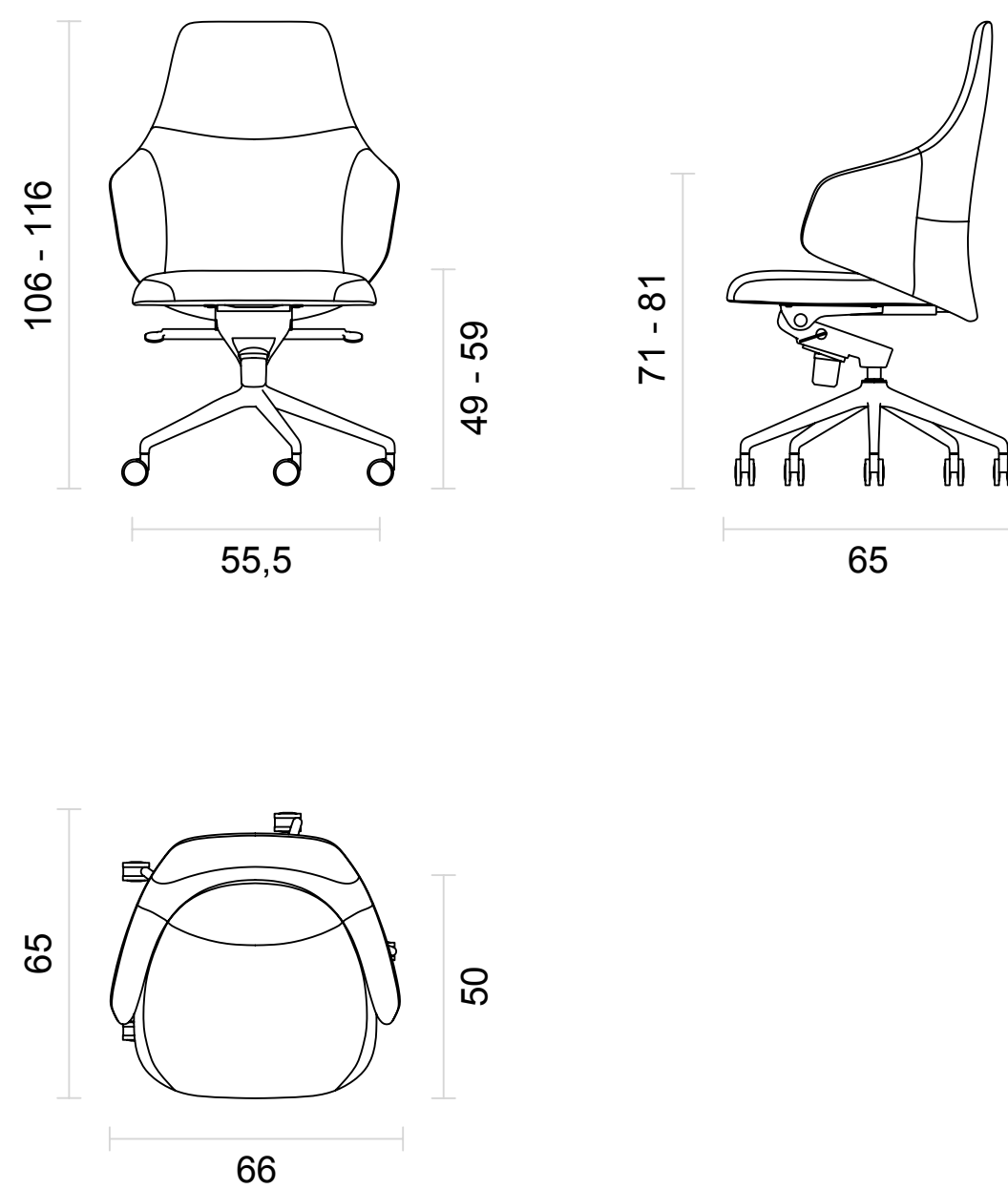
🔸🔹 White legs come with white wheels; all other colors come with black wheels. Contact us for custom options.

Dimensions (cm)

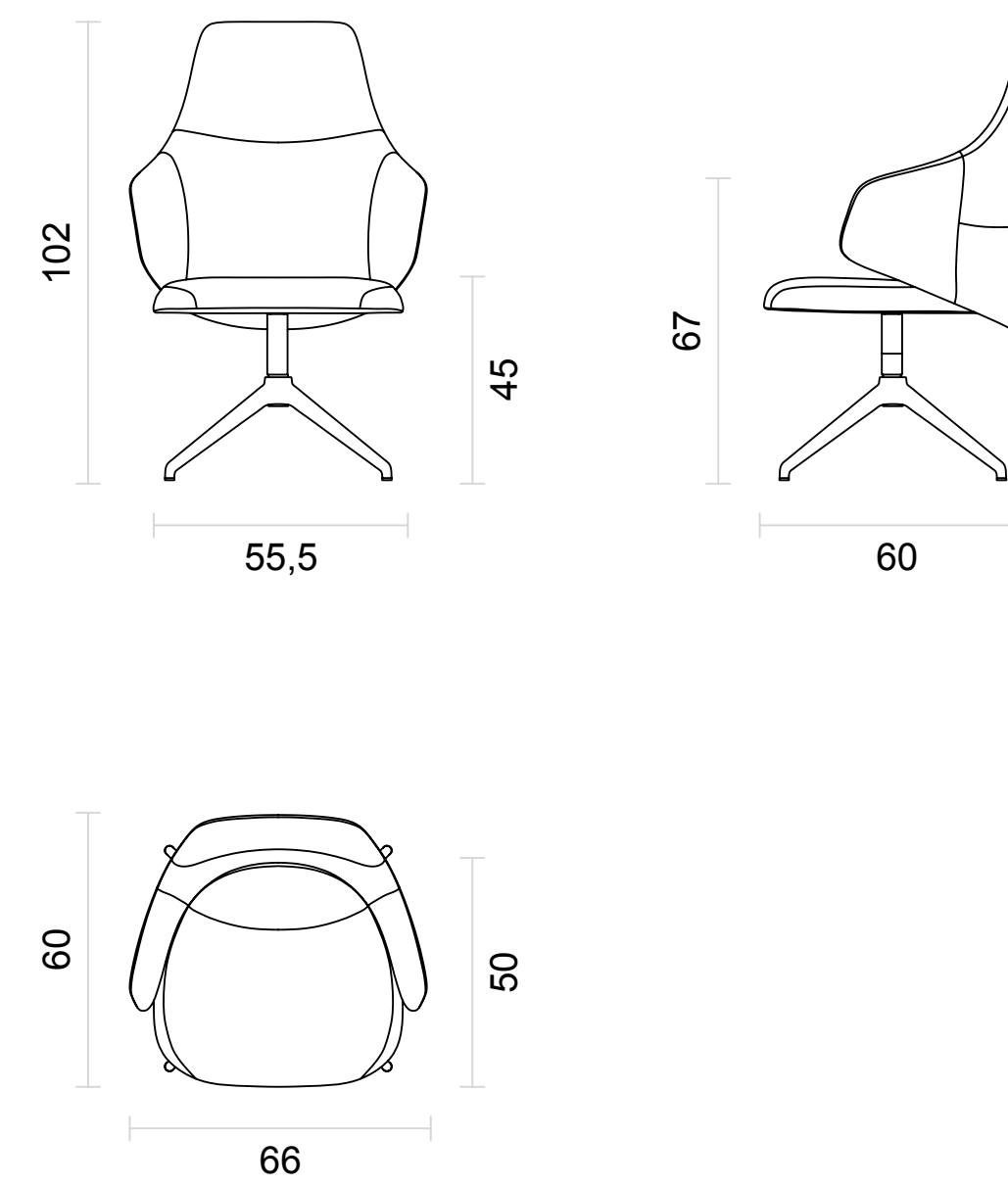
Office Premium SYN
Executive



Office Premium SYN



Premium Swivel



Downloads

2D & 3D FILES 

PRODUCT IMAGES 

CERTIFICATES 

You can run this product with following system:



Mentor

Chair

Indoor

Technical Specifications		Chair			
	Package Dimensions (cm)	Volume (m ³)	Weight (kg)	Seat / Back	Base
Office Premium SYN Executive	70x70x130 quantity in box: 1	0,64	18,9	Metal Structure + Polyurethane	Aluminum Injection + Electrostatic Powder Coated
Office Premium SYN	70x70x130 quantity in box: 1	0,64	17,7		
Premium S	70x70x105 quantity in box:	0,52	15,8		

S: Swivel, SYN: Synchro Tilt Mechanism, Exe: Executive

Mentor

Chair

Indoor

CARE AND MAINTENANCE



Care and maintenance instructions & warranty certificate **click and download**



Mentor

Chair

Indoor



www.bt.design

Showroom

Istanbul
istanbul@bt.design

Ankara
ankara@bt.design

London
london@bt.design

Factory

Istanbul
fabrika@bt.design

Bulgaria
europa@bt.design

Export

export@bt.design